

Project		Catalog #		Type	
Prepared by		Notes		Date	

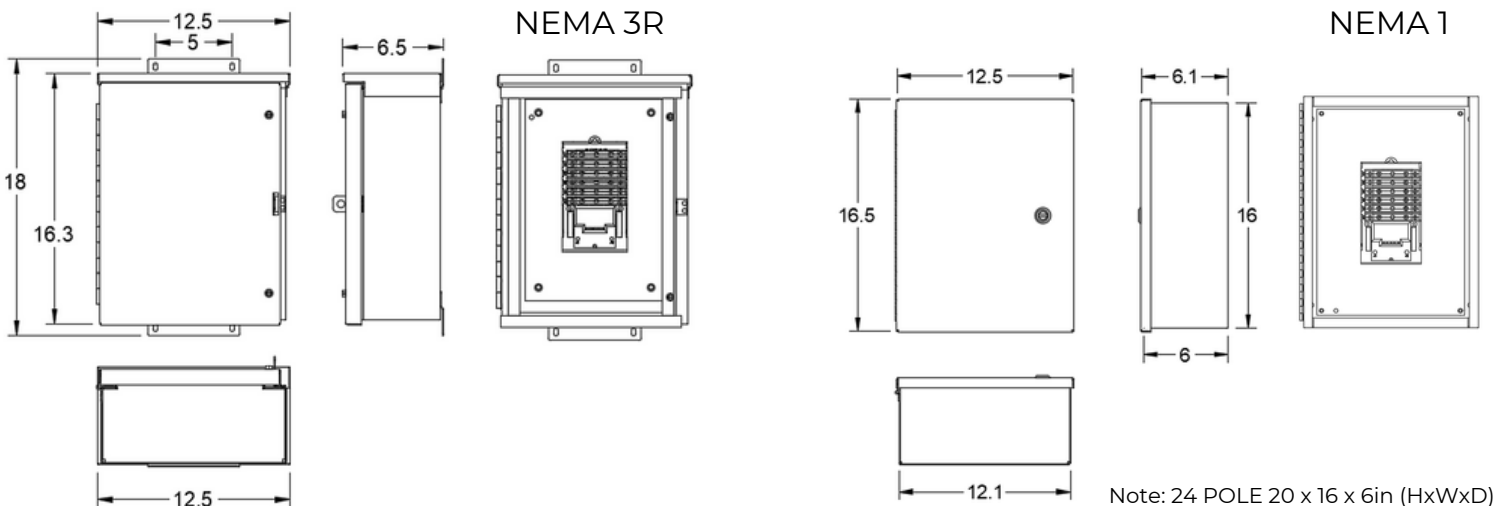


Lighting Contactor Panel

Product Features

- Plug & play, pre assembled enclosure
- Programmable digital 24 hour 7-day astronomical timeclock with backup
- Electrically held 120/277V 30A rated 2-pole contactor blocks, up to 24 poles
- Steel lockable NEMA 3R or NEMA 1 enclosure
- Ambient operating temperature range -40F to +131F
- Enclosure dimensions 16H x 12W x 6D inches and includes mounting flanges with through holes
- Contactor screw terminal connections accept 14-8 AWG solid or stranded 75C copper wire
- Included exterior photocell accessory can be connected in OR/AND logic arrangement with timeclock
- All components are UL listed
- HOA switches, additional enclosure types, and many more options available. Consult factory for details.

Dimensional Details



Order Information

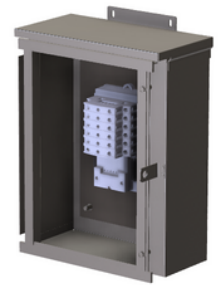
Family	Type	# Poles	Coil Voltage	NEMA	HOA Switch	Accessories
CTRL	PNL	02 = 2 POLES 04 = 4 POLES 06 = 6 POLES 08 = 8 POLES 10 = 10 POLES 12 = 12 POLES 24 = 24 POLES*	[BLANK] = 120VAC 277 = 277VAC 208 = 208VAC 24 = 24VAC	NEMA1 = INDOOR NEMA3R = OUTDOOR	[BLANK] = NONE HOA = HOA SWITCH	[BLANK] = NONE TMCLK = TIMECLOCK TMCLKAPP = APP-BASED WIRELESS PROGRAMMING PHCL = PHOTOCELL 2HR = 2 HOUR OVERRIDE

Notes

*24 POLE available with 120VAC coil and 20 x 16 x 6in (HxWxD) NEMA1 housing only.

Product Specifications

- Enclosure
 - NEMA 3R or NEMA 1
 - UL listed UL-50 Type 3R complies with NEMA Type 3R and IEC 60529 IP24
 - 16 x 12 x 6 inches (HxWxD)
 - Surface or channel mountable
 - Galvanized steel, powder coated finish, ANSI 61 gray
 - Hinged screw cover with padlock hasp and staple
 - RAL9003 white powder coat 12-gauge steel subpanel
- Contactor
 - Electrically held lighting contactor, All lighting load types
 - Rated to 30A at 600VAC for general use
 - Up to 12 power poles field configurable as maximum 12 NO or 8 NC and 4 NC.
 - Power poles: 14-8 AWG, Coil: 18-14 AWG
 - 120VAC 28VA coil (other voltages available)
 - UL listed, UL Category Code NLDX/NLDX7
 - Designed and built to NEMA ICS-2 Standards
- Timeclock
 - Commercial grade multipurpose astronomic 7 day time switch
 - Two user interface options: field programmable from front panel or app-based wireless programming
 - Automatic daylight savings
 - Capacitor back-up
 - 16-8 AWG wire size, multi-voltage: 120/277VAC
 - UL listed to UL standard 917
- Photocell
 - Mechanical bimetal switch with Cadmium Sulfide photocell
 - Delay feature prevents unwanted OFF switching
 - Swivel with 1/2"-14 NPSM threaded stem
 - Washer gasket and locking nut included
 - #18 AWG, 6" wire leads
 - UL listed
- 2 Hour Override Switch
 - Springwound auto-off timer
 - Single gang wall box, decora cutout compatible
 - 120-277V rated contacts
 - UL listed



12 POLE NEMA3R



24 POLE NEMA1

Wiring Diagrams

- Wiring diagram illustrates order code CTRL-PNL-12-NEMA1-HOA-TMCLK-PHCL which utilizes the full combination of a photo cell, time switch, HOA override switch, and lighting contractors.
- If HOA switch is not included, connect normally open output (5) of time switch directly to lighting contactor coil (A1).
- If photo cell is not included, connect time switch common input (3) directly to line supply (1).
- If time switch and HOA Switch are not included, connect photo cell output (Red) directly to lighting contactor coil (A1).

Photo Cell, Time Switch, HOA Switch

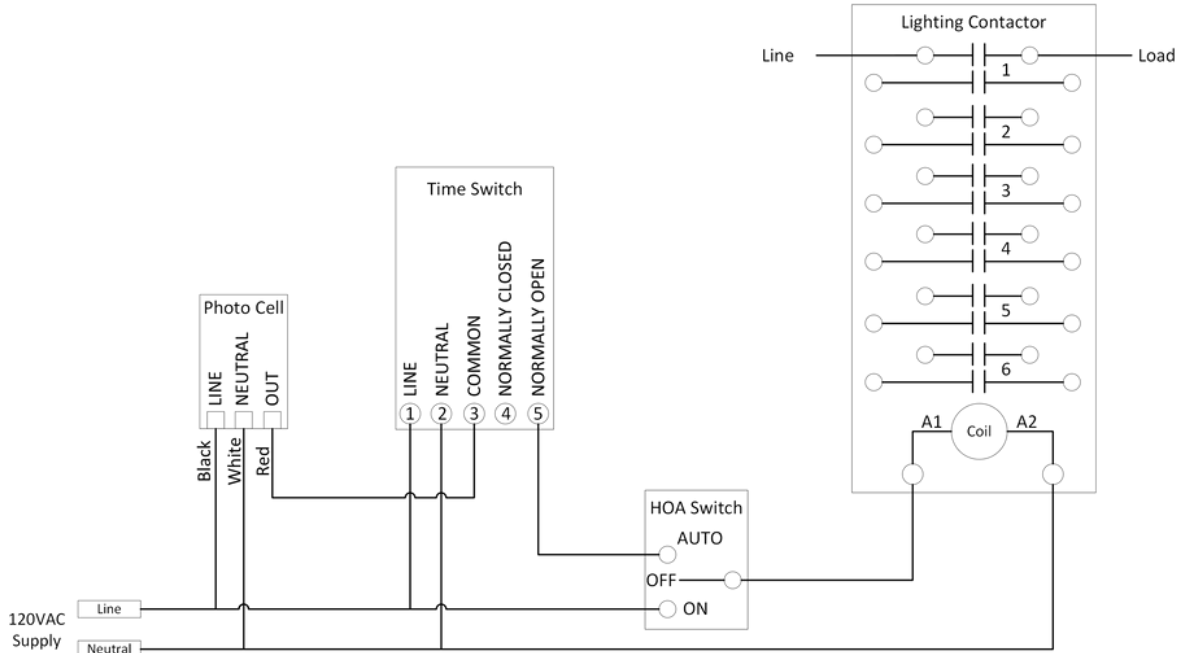
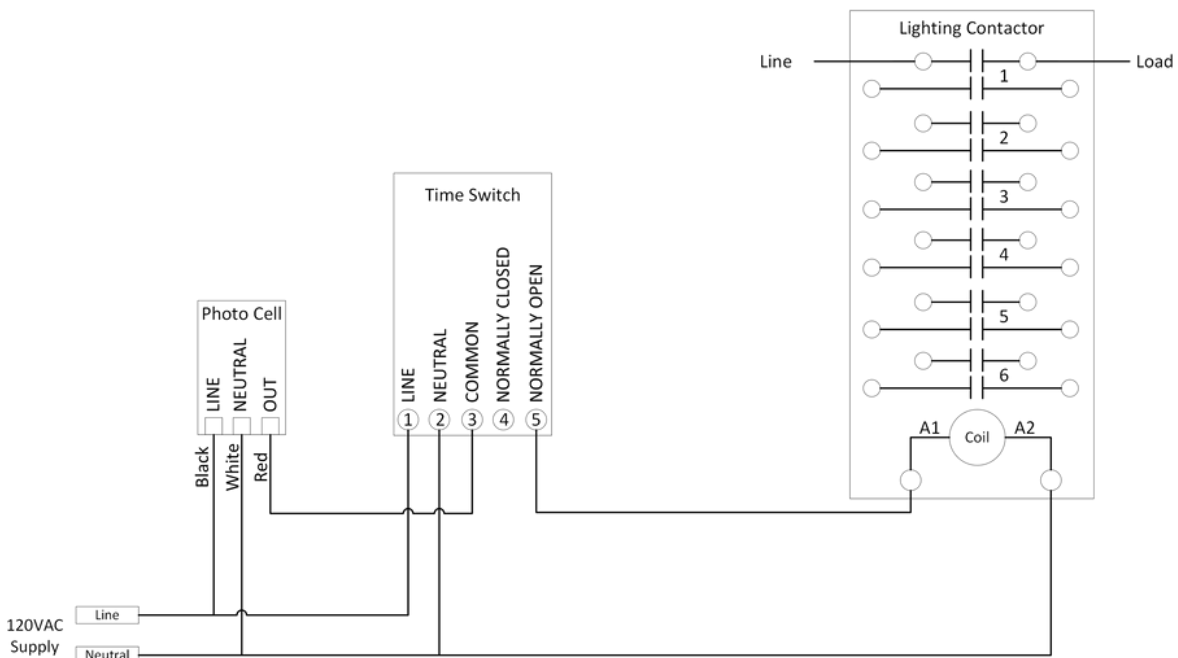


Photo Cell, Time Switch



Wiring Diagrams

Time Switch

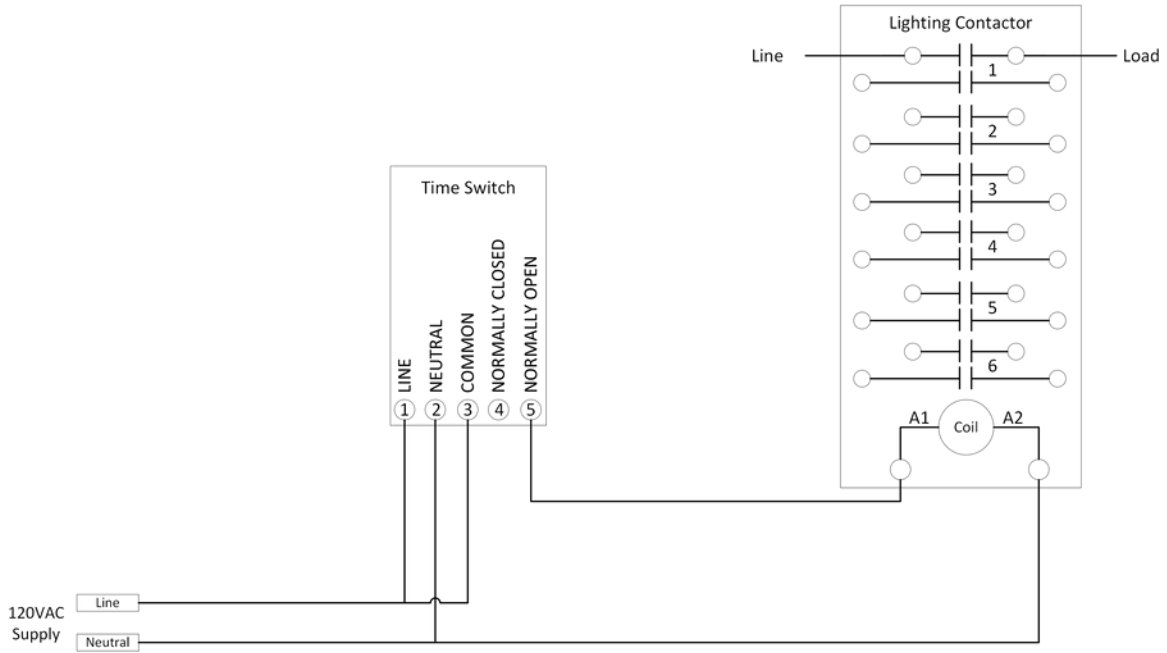
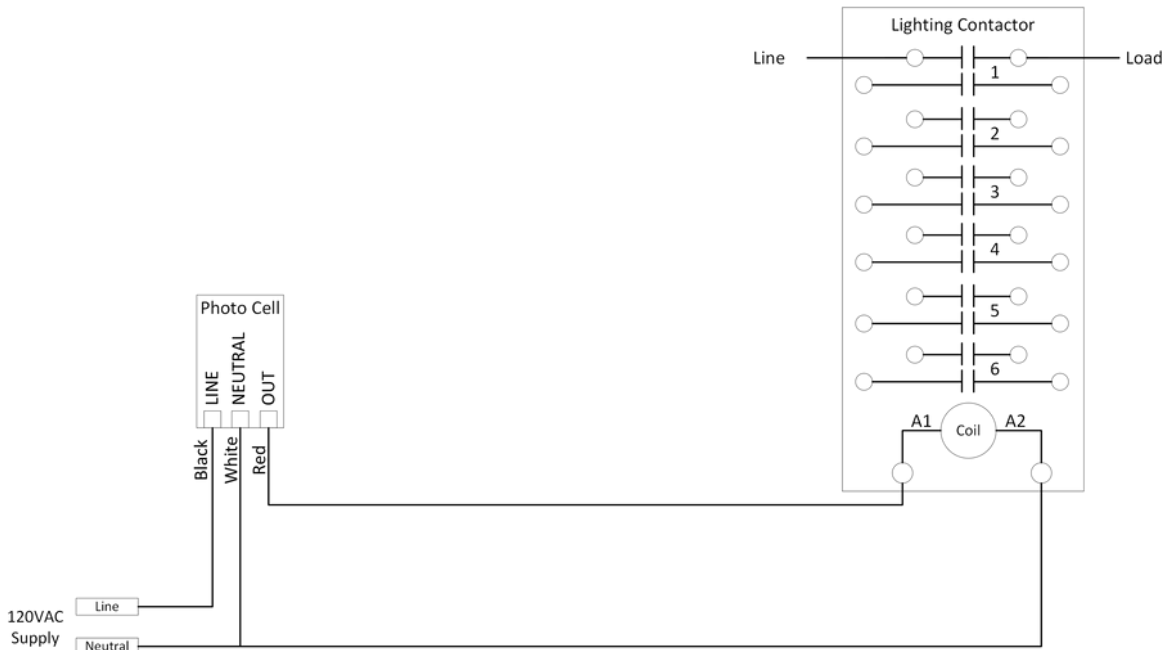
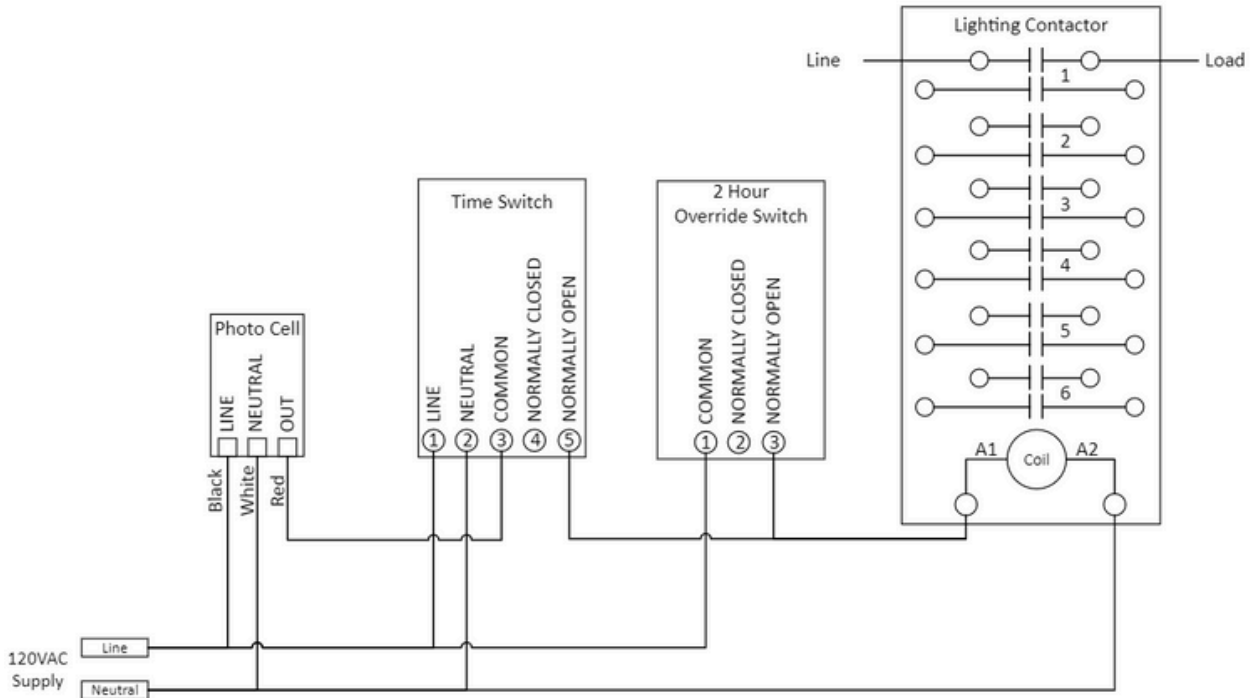


Photo Cell



Wiring Diagrams

Photo Cell, Time Switch, 2 Hour Override



Programming

- 7-Day Scheduling: Allows for different schedules each day of the week with a maximum of 20 events per day.
- Minimum Setting: Set to a minimum of 1 minute.
- Astronomic Option: Automatically turns ON at sunset and OFF at sunrise for outdoor lighting.
- Daylight Saving Time: Automatically adjusts for daylight saving time changes.
- Leap Year Compensation: Automatically accounts for leap years.
- Manual Override: Can be manually overridden until the next scheduled ON or OFF time.
- Power Outage: Retains the schedule permanently with a supercapacitor maintaining real-time information for up to 4 days.

Note: Remember to press 'MODE' to switch to RUN mode after making any changes, then press 'EVENT' to update the load status.

1. Power Up:
 - a. Allow 1-2 minutes for the supercapacitor to charge. The display will flash 12:00.
 - b. Press 'MODE' to switch to clock mode.
2. Set the Clock:
 - a. Use 'HOUR' and 'MIN' to set the current time. Verify AM/PM and press 'ENTER'.
3. Set the Date:
 - a. Use 'MONTH', 'DATE', and 'YEAR' to set the current date, then press 'ENTER'.
 - b. The day of the week will be set automatically.
4. Daylight Saving Time:
 - a. After setting the date, the display will show 'OFF'.
 - b. Press 'ENTER' if no DST adjustment is needed.
 - c. For standard USA DST, press 'MODE' to proceed.
 - d. To make changes, use 'MONTH' to set the desired start and end dates for DST with 'DATE' and 'DAY', then press 'ENTER'.
5. Set Schedule:
 - a. Press 'MODE' until the schedule mode appears on the display.
 - b. Use 'HOUR' and 'MIN' to set the desired time.
 - c. Press 'EVENT' to choose between 'ON' or 'OFF', then select the days using 'DAY' and press 'ENTER'.
6. Set Astronomic Schedule:
 - a. Press 'MODE' until the astronomic mode is displayed.
 - b. Use 'LAT' to set the latitude (0° to 60° north or south), then press 'ENTER'.
 - c. Select the days for the astronomic setting with 'DAY' and press 'ENTER'.
 - d. If necessary, set offsets using 'HOUR' and 'MIN', choose '+' or '-' with 'EVENT', then press 'ENTER'.
7. Review, Modify, Delete Schedules:
 - a. Press 'MODE' to cycle through clock, date, DST, schedule, and astronomic modes.
 - b. Adjust settings by pressing the relevant buttons and 'ENTER'.
 - c. Delete settings using 'DEL' and 'ENTER'.
8. Manual Override:
 - a. Operates in both AUTO and manual modes. Override remains effective until the next event in AUTO mode and indefinitely in manual mode.
9. Update Status:
 - a. Press 'EVENT' in RUN mode to execute the last scheduled event.
10. Notes:
 - a. In MAN mode, the unit ignores schedule settings and remains in the manually set status.
 - b. The unit will switch to RUN mode automatically if no key is pressed for five minutes.
 - c. To clear all memory, press 'ENTER' and 'EVENT' in RUN mode. This action will erase all memory, including real-time and date settings.